

PLEASE CHECK WWW.MOLEX.COM FOR LATEST PART INFORMATION

Part Number: [0556500288](#)
Status: **Active**
Overview: [slimstack_050mm_020_pitch](#)
Description: 0.50mm (.020") Pitch SlimStack™ Plug, Surface Mount, Dual Row, Vertical, 2.00mm (.079") Stack Height, with Solder Tab, 20 Circuits, Lead-free

Documents:

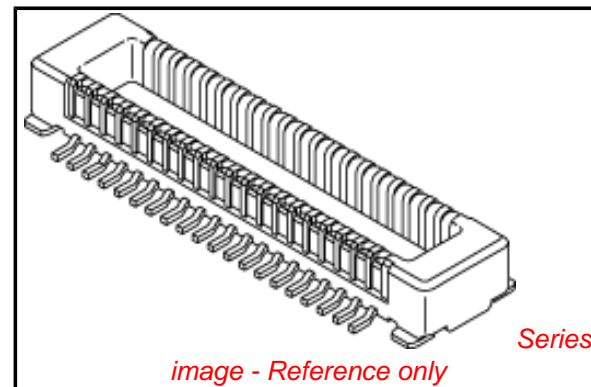
[3D Model](#) [Product Specification PS-54363-046 \(PDF\)](#)
[Drawing \(PDF\)](#) [RoHS Certificate of Compliance \(PDF\)](#)
[Product Specification PS-54363-044 \(PDF\)](#)

General

Product Family	PCB Headers
Series	55650
Application	Board-to-Board
Comments	Solder Tab Plating: Lead-free, Tin
Overview	slimstack_050mm_020_pitch
Product Name	SlimStack™

Physical

Breakaway	No
Circuits (Loaded)	20
Circuits (maximum)	20
Color - Resin	Black
Durability (mating cycles max)	30
First Mate / Last Break	No
Glow-Wire Compliant	No
Guide to Mating Part	No
Keying to Mating Part	None
Lock to Mating Part	Yes
Mated Height (in)	0.079 In
Mated Height (mm)	2.00 mm
Material - Metal	Brass
Material - Plating Mating	Gold
Material - Plating Termination	Gold
Material - Resin	High Temperature Thermoplastic
Number of Rows	2
Orientation	Vertical
PC Tail Length (in)	0.000 In
PC Tail Length (mm)	0.00 mm
PCB Locator	No
PCB Retention	Yes
PCB Thickness Recommended (in)	0.000 In
PCB Thickness Recommended (mm)	0.00 mm
Packaging Type	Embossed Tape on Reel
Pitch - Mating Interface (in)	0.020 In
Pitch - Mating Interface (mm)	0.50 mm
Pitch - Term. Interface (in)	0.020 In
Pitch - Term. Interface (mm)	0.50 mm
Plating min: Mating (µin)	10
Plating min: Mating (µm)	0.25
Plating min: Termination (µin)	4
Plating min: Termination (µm)	0.1
Polarized to Mating Part	No
Polarized to PCB	No
Shrouded	No



EU RoHS

ELV and RoHS Compliant
REACH SVHC
 Not Reviewed
Halogen-Free Status

China RoHS



Not Reviewed

Need more information on product environmental compliance?

Email productcompliance@molex.com
 For a multiple part number RoHS Certificate of Compliance, [click here](#)

Please visit the [Contact Us](#) section for any non-product compliance questions.

Search Parts in this Series

[55650Series](#)

Mates With

[54363 PCB Receptacle](#)

Stackable	No
Surface Mount Compatible (SMC)	Yes
Temperature Range - Operating	-25°C to +85°C
Termination Interface: Style	Surface Mount

Electrical

Current - Maximum per Contact	0.5A
Voltage - Maximum	50V AC (RMS)/DC

Material Info**Reference - Drawing Numbers**

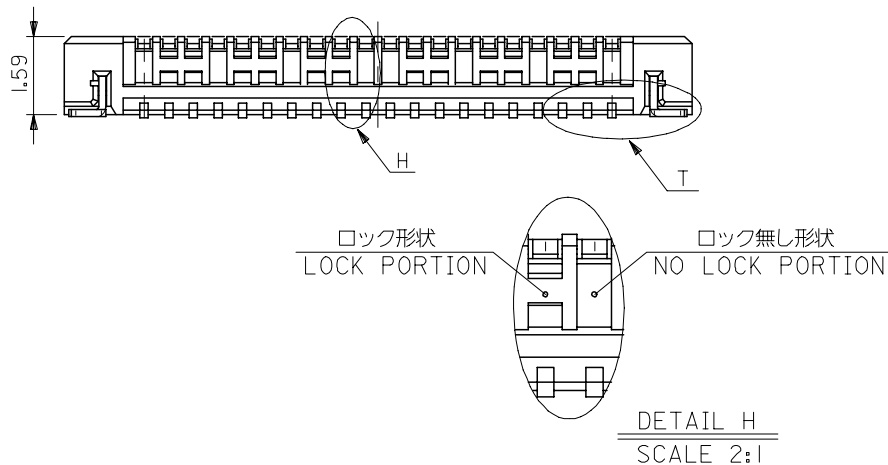
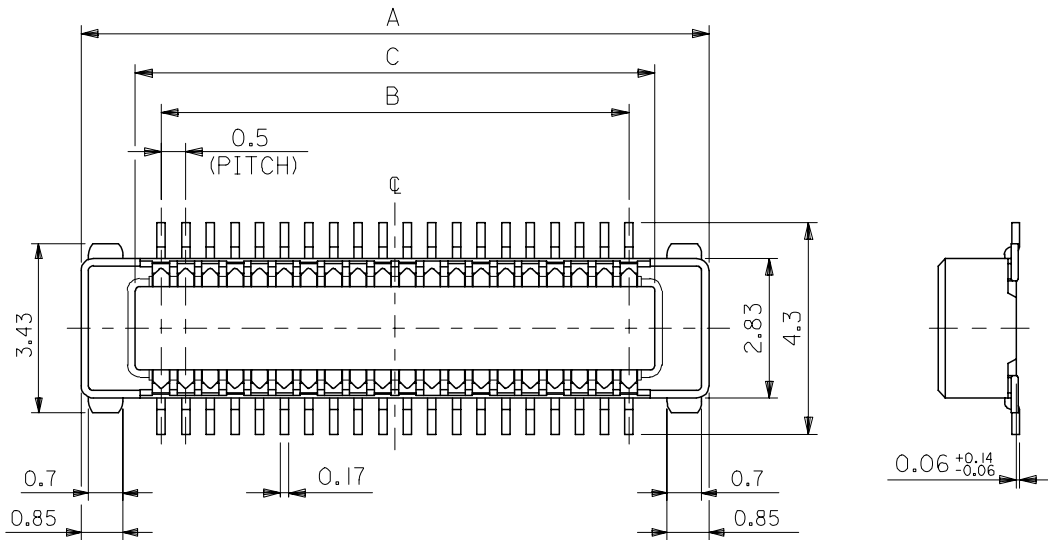
Packaging Specification	SPK-55650-001
Product Specification	PS-54363-044, PS-54363-046, RPS-54363-047
Sales Drawing	SD-55650-013, SD-55650-014

This document was generated on 05/27/2010

PLEASE CHECK WWW.MOLEX.COM FOR LATEST PART INFORMATION

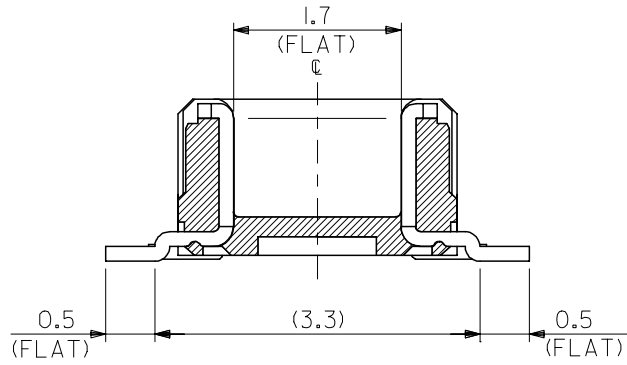
注記
NOTES:

- 材質
MATERIAL
ハウジング: LCP (液晶ポリマー)、ガラス充填、黒色、UL94V-0
HOUSING: LCP (LIQUID CRYSTAL POLYMER), GLASS FILLED, BLACK, UL94V-0
ターミナル: 銅合金 (t=0.15)
TERMINAL: COPPER ALLOY (t=0.15)
ネイル: 銅合金 (t=0.15)
NAIL: COPPER ALLOY (t=0.15)
- メッキ仕様
PLATING
ターミナル
TERMINAL
接点部: 金メッキ 0.25マイクロメートル以上
CONTACT AREA: GOLD 0.25 MICROMETER MINIMUM
半田付け部: 金メッキ 0.35マイクロメートル以下
SOLDER TAIL AREA: GOLD 0.35 MICROMETER MAXIMUM
下地メッキ: ニッケルメッキ 1.5マイクロメートル以上
UNDER PLATING: NICKEL 1.5 MICROMETER MINIMUM
ネイル
NAIL
錫メッキ 1.0マイクロメートル以上
TIN 1.0 MICROMETER MINIMUM
下地メッキ: ニッケルメッキ 1.0マイクロメートル以上
UNDER PLATING: NICKEL 1.0 MICROMETER MINIMUM
- テール平坦度は、0.08ミリメートル以下。テールとネイルを併せた平坦度は、0.1ミリメートル以下。
TAIL COPLANARITY TO BE 0.08 MAXIMUM. TAILS AND NAILS COPLANARITY TO BE 0.1 MAXIMUM.
- 嵌合相手: 54363-****
MATED CONN.: 54363-****
- 本製品は55650-****1の鉛フリー品である。
THIS PRODUCT IS LEAD FREE OF 55650-****1

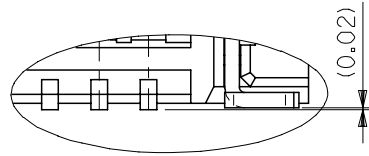


—#	28.05	27	30.25	55650-1181	110
4	18.05	17	20.25	55650-0781	70
8	15.55	14.5	17.75	55650-0681	60
12	13.05	12	15.25	55650-0581	50
20	10.55	9.5	12.75	55650-0481	40
30	8.05	7	10.25	55650-0381	30
20	5.55	4.5	7.75	55650-0281	20
□ック数 LOCKS	C	B	A	製品番号 MATERIAL NO.	極数 CIRCUITS

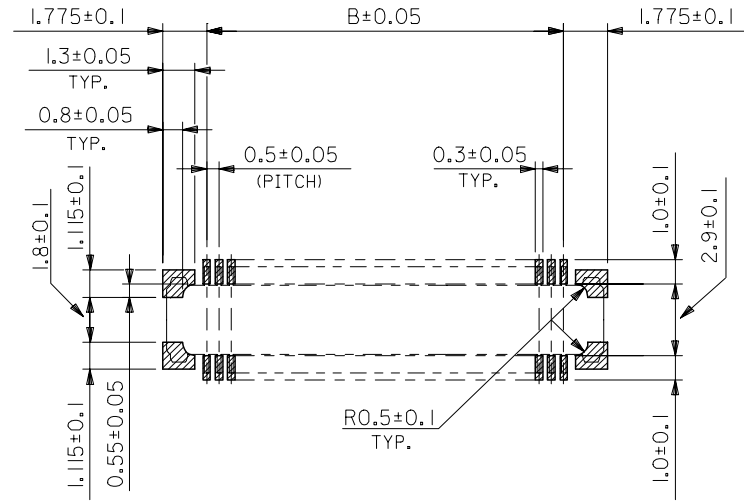
REVISED EC NO: J2008-0540 DRAWN: A0YAGI 2007/09/03 CHKD: KTOYODA 2007/09/03 APPR: NUKITA 2007/09/04	GENERAL TOLERANCES (UNLESS SPECIFIED)		DIMENSION STYLE MM ONLY		SCALE ---	DESIGN UNITS METRIC	THIRD ANGLE PROJECTION
	10 UNDER	±0.2	DRAWN BY M. NAGATA	DATE 2004/03/09	TITLE 0.5 MM PITCH B/B CONN. PLUG NAIL ASS'Y (H=2MM) -LEAD FREE-		
	10 OVER 30 UNDER	±0.25	CHECKED BY K. TOJO	DATE 2004/03/09	MOLEX MOLEX INCORPORATED		
	30 OVER	±0.3	APPROVED BY M. SASAO	DATE 2004/03/09	MATERIAL NO. SEE TABLE	DOCUMENT NO. SD-55650-013	SHEET NO. 1 OF 2
	ANGULAR	±3 °	DRAFT WHERE APPLICABLE MUST REMAIN WITHIN DIMENSIONS		SIZE A3	THIS DRAWING CONTAINS INFORMATION THAT IS PROPRIETARY TO MOLEX INCORPORATED AND SHOULD NOT BE USED WITHOUT WRITTEN PERMISSION	



製品断面図 (半田付け部、吸着面寸法)
 DETAIL FOR SOLDERING AND VACUUM AREA



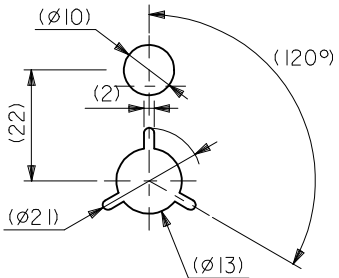
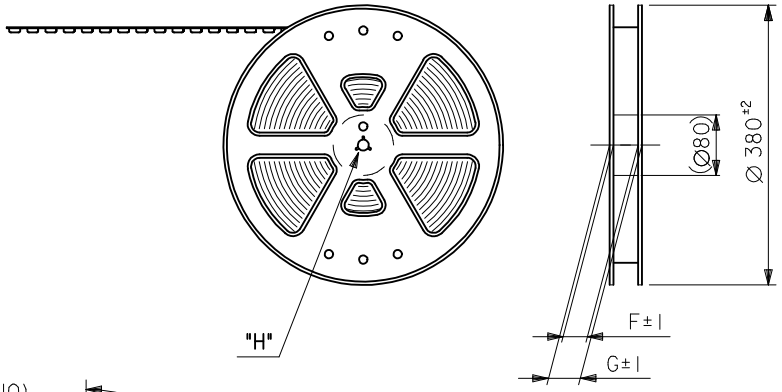
DETAIL T
 T部詳細



推奨基板寸法
 RECOMMENDED PCB PATTERN LAYOUT
 (SCALE 5:1)

REVISED EC NO: J2008-0540 DRWN: A0YAGI 2007/09/03 CHKD: TOYODA 2007/09/03 APPR: NUKITA 2007/09/04	GENERAL TOLERANCES (UNLESS SPECIFIED)		DIMENSION STYLE MM ONLY		SCALE ---	DESIGN UNITS METRIC	THIRD ANGLE PROJECTION
	10 UNDER	± 0.2	DRAWN BY M. NAGATA	DATE 2004/03/09	TITLE 0.5 MM PITCH B/B CONN. PLUG NAIL ASS'Y (H=2MM) -LEAD FREE-		
	10 ^{OVER} 30 UNDER	± 0.25	CHECKED BY K. TOJO	DATE 2004/03/09	MOLEX INCORPORATED		
	30 ^{OVER}	± 0.3	APPROVED BY M. SASAO	DATE 2004/03/09	MATERIAL NO.	DOCUMENT NO. SD-55650-013	SHEET NO. 2 OF 2
ANGULAR ±3 °		DRAFT WHERE APPLICABLE MUST REMAIN WITHIN DIMENSIONS		SEE SHEET 1			
THIS DRAWING CONTAINS INFORMATION THAT IS PROPRIETARY TO MOLEX INCORPORATED AND SHOULD NOT BE USED WITHOUT WRITTEN PERMISSION							

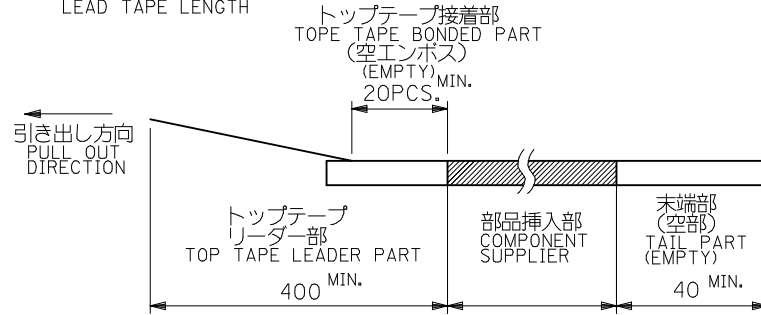
引き出し方向
PULL OUT DIRECTION



DETAIL "H"

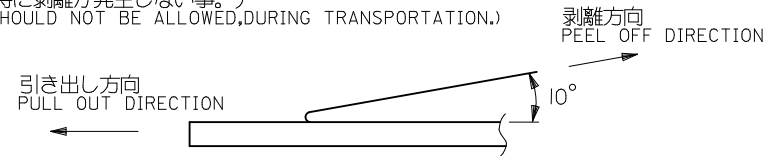
注)
NOTES

1. 製品番号 55650-***81 詳細寸法については、製品単体図面を参照下さい。
IN THE PACKAGE PART NUMBER 55650-***81 DETAILED DIMENSIONS, SEE SALES DRAWING FOR CONNECTOR.
2. 梱包数量: 2500個/リール
NUMBER OF CONNECTORS: 2500 PCS/REEL.
3. リードテープ長さ
LEAD TAPE LENGTH



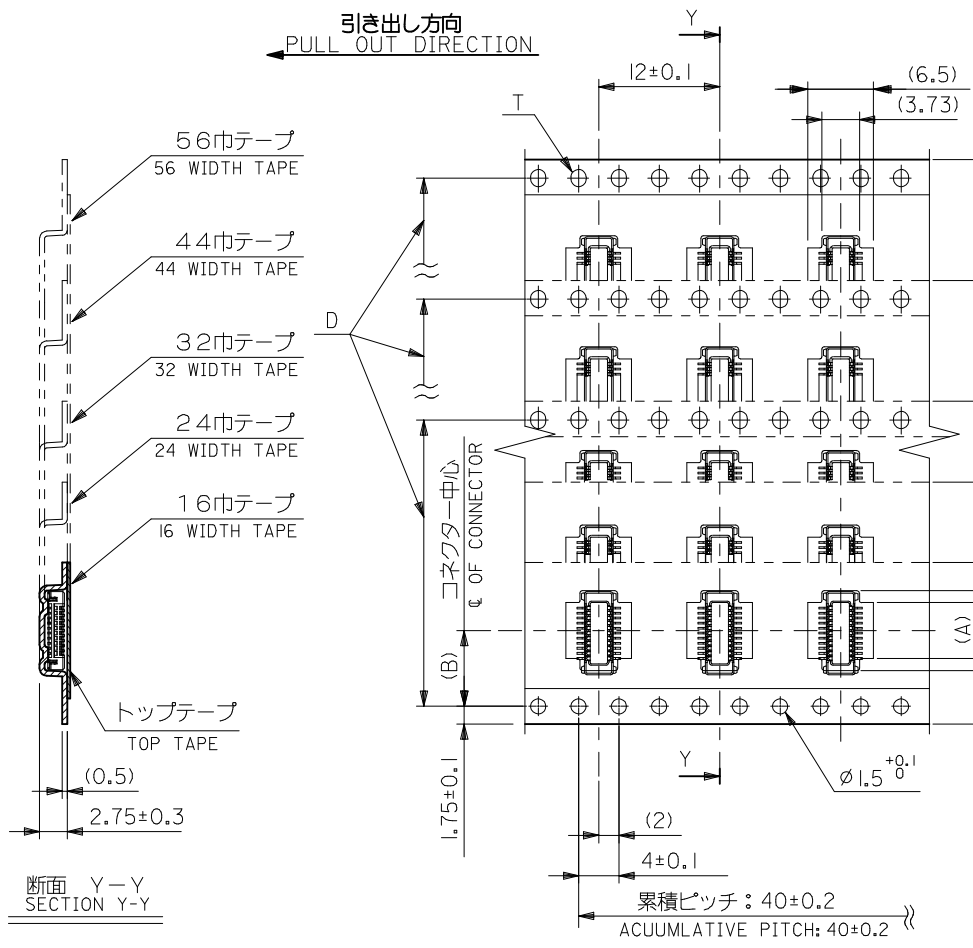
4. トップテープの剥離強度: (剥離方向は下図参照)
PEELING OFF FORCE OF TOP TAPE (PELLING DIRECTION AS SHOWN IN FOLLOWING FIGURE.)
0. 1~1. 3N{ 10~130gf }

尚、本規格値は、出荷時に適用。
THIS REQUIREMENT SHOULD BE APPLIED AT SHIPMENT.
(但し、輸送時に剥離が発生しない事。)
(PEEL OFF SHOULD NOT BE ALLOWED, DURING TRANSPORTATION.)



5. 材料
MATERIAL
キャリアテープ: ポリプロピレン (PP)
CARRIER TAPE: POLYPROPYLENE (PP)
トップテープ: PET, PE, PEF
TOP TAPE: PET, PE, PEF
リール: ポリスチレン (PS) <リサイクル材を含む>
REEL: POLYSTYRENE (PS) <RECYCLE MATERIAL CONTAINED>
6. 本製品は55650-***8の鉛フリー品である。
THIS PRODUCT IS LEAD FREE OF 55650-***8

MATERIAL 材料	注記参照 SEE NOTES	REVISED EC NO.: J2009-0552 DRWN: YOSHIDAM 2008/12/04 CHKD: THARUYAMA 2008/12/04 APPR: NUKITA 2008/12/08	GENERAL TOLERANCES (UNLESS SPECIFIED)		DIMENSION STYLE MM ONLY		SCALE ---	DESIGN UNITS METRIC	THIRD ANGLE PROJECTION	
FINISH 仕上げ	注記参照 SEE NOTES		10 UNDER	±0.2	DRAWN BY M. NAGATA	DATE 2004/03/09	TITLE EMBOSSED TAPE PACKAGE FOR 55650-***81 -LEAD FREE-			
WIRE RANGE 適用電線範囲	---		10 OVER 30 UNDER	±0.25	CHECKED BY K. TOJO	DATE 2004/03/09	MOLEX MOLEX INCORPORATED			
INS. RANGE 被覆外径	---		30 OVER	±0.3	APPROVED BY M. SASAO	DATE 2004/03/09	DOCUMENT NO. SD-55650-014			
			ANGULAR	±3 °	MATERIAL NO. SEE SHEET 2	SHEET NO. 1 OF 2				
		DRAFT WHERE APPLICABLE MUST REMAIN WITHIN DIMENSIONS			SIZE A3 THIS DRAWING CONTAINS INFORMATION THAT IS PROPRIETARY TO MOLEX INCORPORATED AND SHOULD NOT BE USED WITHOUT WRITTEN PERMISSION					



37.5	33.4	32±0.3	28.4	20.45 17.95	14.2	18.05 15.55	55650-0788	70
29.4	25.4	24±0.3	#	15.45 12.95	11.5	13.05 10.55	55650-0688	60
21.4	17.4	16±0.3	#	10.45	7.5	8.05	55650-0588	50
G	F	E	D	(C)	(B)	(A)	55650-0488	40
				7.95	5.55	5.55	55650-0388	30
							55650-0288	20
E キャリアテープ幅 CARRIER TAPE WIDTH							製品番号 MATERIAL NO.	極数 CIRCUITS

MATERIAL 材料	注記参照 SEE NOTES
FINISH 仕上げ	注記参照 SEE NOTES
WIRE RANGE 適用電線範囲	#
INS. RANGE 被覆外径	#

REVISED	EC NO: J2009-0552	DRWN: YOSHIDAM 2008/12/04	CHKD: THARUYAMA 2008/12/04	APPR: NUKITA 2008/12/08
DESCRIPTION				
REV				

GENERAL TOLERANCES (UNLESS SPECIFIED)	
10 UNDER	±0.2
10 OVER 30 UNDER	±0.25
30 OVER	±0.3
ANGULAR	±3 °
DRAFT WHERE APPLICABLE MUST REMAIN WITHIN DIMENSIONS	

DIMENSION STYLE MM ONLY	
DRAWN BY	DATE
M. NAGATA	2004/03/09
CHECKED BY	DATE
K. TOJO	2004/03/09
APPROVED BY	DATE
M. SASAO	2004/03/09
MATERIAL NO.	
SEE TABLE	
SIZE	A3

SCALE ---	DESIGN UNITS METRIC	THIRD ANGLE PROJECTION
TITLE EMBOSSD TAPE PACKAGE FOR 55650-***81 -LEAD FREE-		
MOLEX INCORPORATED		
MATERIAL NO.	DOCUMENT NO.	SHEET NO.
SD-55650-014		2 OF 2
THIS DRAWING CONTAINS INFORMATION THAT IS PROPRIETARY TO MOLEX INCORPORATED AND SHOULD NOT BE USED WITHOUT WRITTEN PERMISSION		